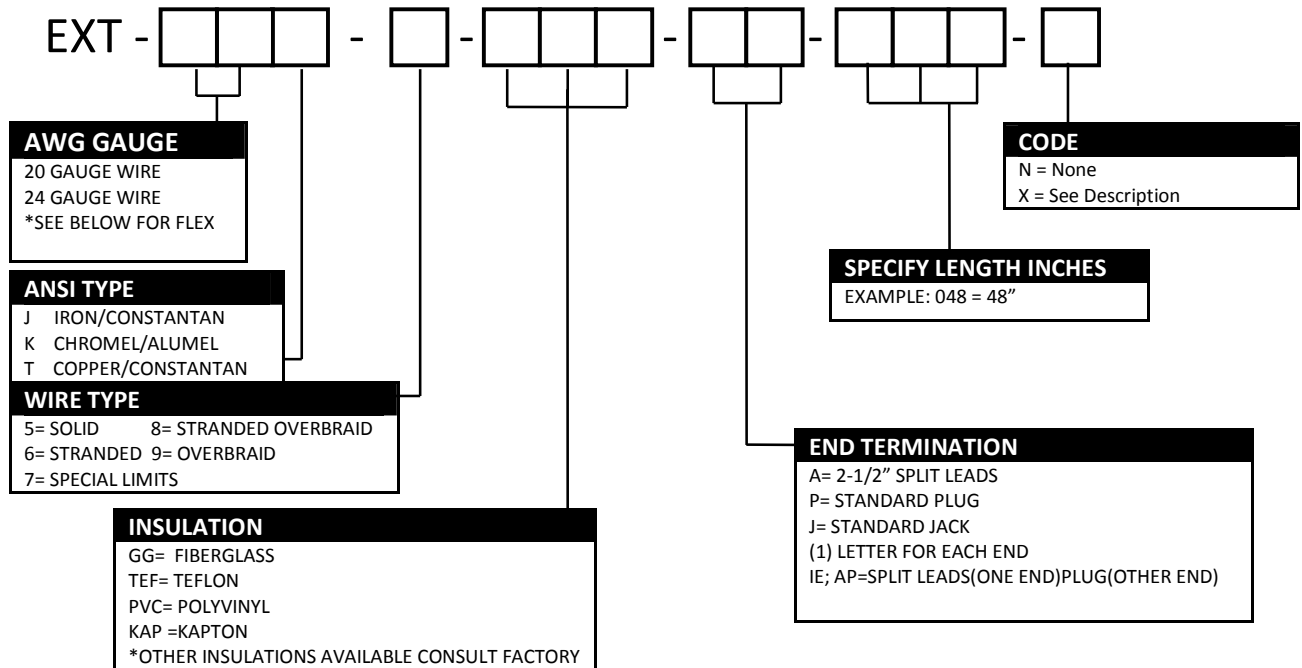
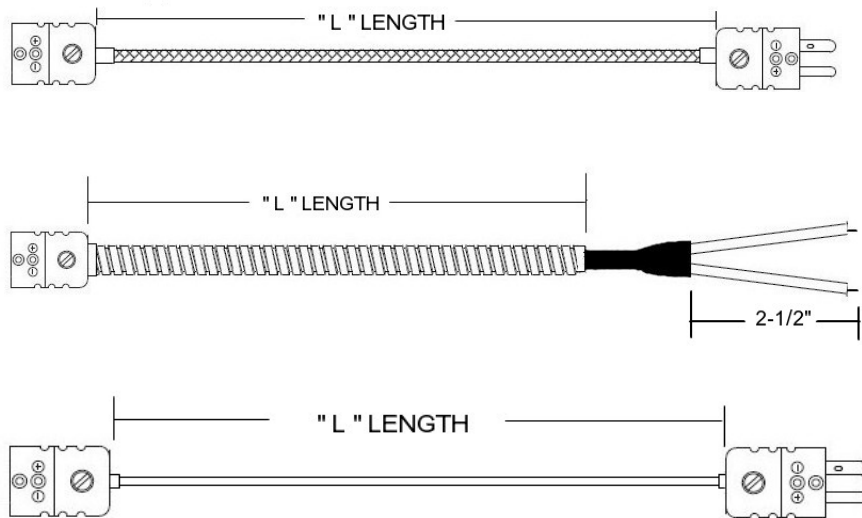


EXTENSION STYLE

HOW TO CONSTRUCT A PART NUMBER



*FOR FLEX ARMOR STYLE USE FC IN PLACE OF GAUGE
I.E. FCJ-6-GG = 'J', STRANDED, FIBERGLASS IN FLEX



THERMOCOUPLE INNOVATIONS, INC. 1251 POMONA ROAD, UNIT 106 CORONA, CA 92880
PHONE (951) 215-7070 FAX (951) 279-1641 WEBSITE: WWW.TCI-INC.COM