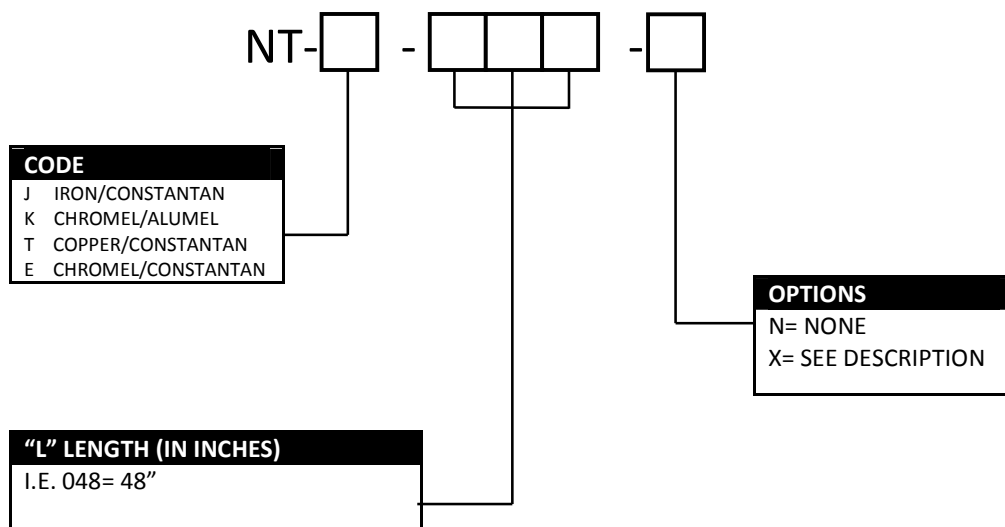
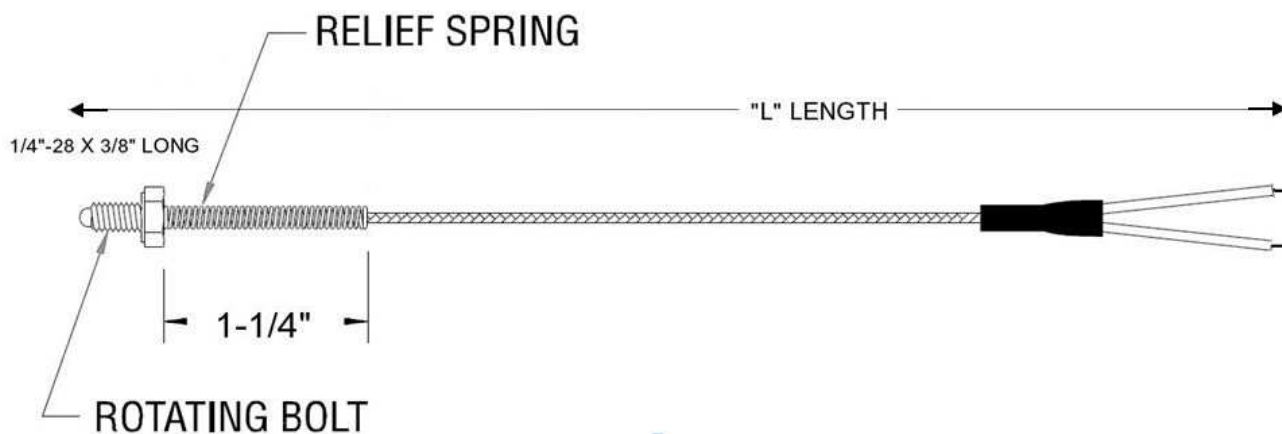


NOZZLE TYPE

HOW TO CONSTRUCT A PART NUMBER



EXAMPLE : NT-J-036-N, TYPE J, "L"=36", NO OPTIONS



THERMOCOUPLE INNOVATIONS, INC. 1251 POMONA ROAD, UNIT 106 CORONA, CA 92880

PHONE (951) 215-7070 FAX (951) 279-1641 WEBSITE: WWW.TCI-INC.COM