

# STANDARD METAL PROTECTION TUBE THERMOCOUPLES

## HOW TO CONSTRUCT A PART NUMBER

**Table 1 (Style):** See next page and choose the Style which best suits your application and enter below

**Table 2 (Connection Head)**

| HEAD CODES               |
|--------------------------|
| 0 = NO HEAD              |
| 1= CAH (CAST ALUMINUM)   |
| 2= CIH (CAST IRON)       |
| 3= PPH (POLYPROPYLENE)   |
| 4= EPH (EXPLOSION PROOF) |
| 5= MAH (MINI ALUMINUM)   |
| 6= (SPECIAL)             |

**Table 3 (ANSI Designation)**

| SINGLE | DUAL | ALLOY                              |
|--------|------|------------------------------------|
| J      | SJ   | Iron/Constantan                    |
| K      | SK   | Chromel/Alumel                     |
| T      | ST   | Copper/Constantan                  |
| E      | SE   | Chromel/Constantan                 |
| S      | SS   | Platinum vs. Platinum 10% Rhodium  |
| R      | SR   | Platinum vs. Platinum 13% Rhodium  |
| B      | SB   | Plt 6% Rhd. Vs. Plt 30% Rhd        |
| W      | SW   | Tungsten 5 % Rhenium vs Tg. 26% Rh |
| N      | SN   | Nicrosil/Nisil                     |

| CODE# | WIRE GAUGE |
|-------|------------|
| 08    | .125"      |
| 14    | .064"      |
| 20    | .032"      |
| 24    | .020"      |

**Table 4 (Junction Type)**



**Table 5 (Protection Tubes)**

| CODE# | MATERIAL     | MAX TEMP. | TUBE O.D. | MAX SIZE WIRE GA. |
|-------|--------------|-----------|-----------|-------------------|
| T5    | 304 S.S.     | 1650 F    | 1/8"      | 20                |
| T6    | 304 S.S.     | 1650 F    | 1/4 "     | 14                |
| T7    | 304 S.S.     | 1650 F    | 1/2 "     | 8                 |
| T8    | 304 S.S.     | 16500 F   | 3/4"      | 20                |
| T9    | 304 S.S.     | 1650 F    | 1"        | 14                |
| I7    | INCONEL 600  | 2100 F    | 1/2 "     | 8                 |
| I8    | INCONEL 600  | 2100 F    | 3/4 "     | 24                |
| F7    | 446 S.S.     | 2000 F    | 1-3/4"    | 8                 |
| F8    | 446 S.S.     | 2000 F    | 3/4 "     | 8                 |
| C5    | CARBON STEEL | 1200 F    | 1/8 "     | 20                |
| C6    | CARBON STEEL | 1200 F    | 1/4 "     | 14                |
| C7    | CARBON STEEL | 1200 F    | 1/2 "     | 8                 |
| C8    | CARBON STEEL | 1200 F    | 3/4 "     | 8                 |
| C9    | CARBON STEEL | 1200 F    | 1"        | 8                 |

**Table 6 (Process length in inches)**

**SPECIFY LENGTH INCHES**  
Example: 048 = 48"

**Table 7 (Model 630)**

**COLD LEG LENGTH IN INCHES**  
IF NOT MODEL 630 USE 00

**Table 8 (Options)**

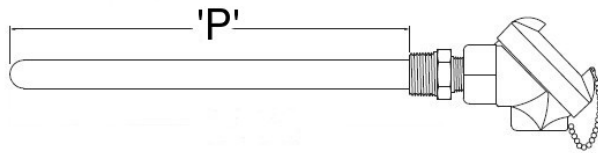
**CODE**  
N = None  
F = MOUNTING FLANGE



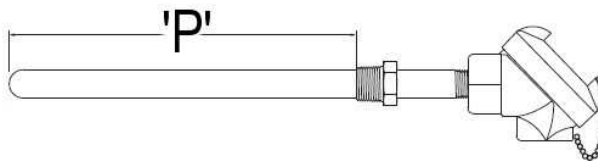
THERMOCOUPLE INNOVATIONS, INC. 1251 POMONA ROAD, UNIT 106 CORONA, CA 92880

PHONE (951) 215-7070 FAX (951) 279-1641 WEBSITE: [WWW.TCI-INC.COM](http://WWW.TCI-INC.COM)

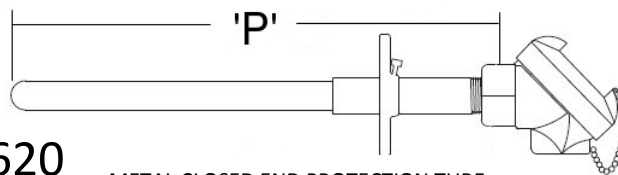
## STANDARD CERAMIC PROTECTION TUBE THERMOCOUPLE STYLES



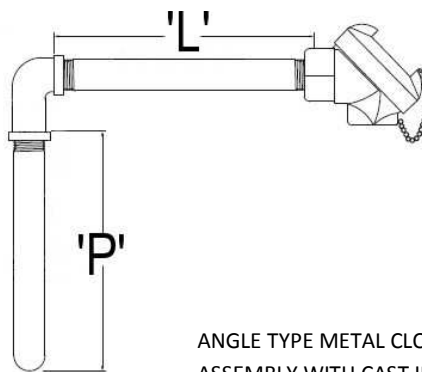
**#600** METAL CLOSED END PROTECTION TUBE  
WITH SCREW COVER HEAD (SPECIFY THREAD SIZE)



**#610** METAL CLOSED END PROTECTION TUBE WITH S.S. NPT  
MOUNTING THREAD AND CAST IRON SCREW COVER  
C.S. SLEEVE AND SCREW COVER HEAD  
(SLEEVE SIZE DETERMINED BY TUBE SIZE)



**#620** METAL CLOSED END PROTECTION TUBE  
WITH ADJUSTABLE MOUNTING FLANGE AND  
CAST IRON SCREW COVER HEAD



**#630** ANGLE TYPE METAL CLOSED END PROTECTION TUBE  
ASSEMBLY WITH CAST IRON SCREW COVER HEAD  
(SPECIFY HOT & COLD LEG LENGTHS)



(951)215-7070

**ThermoCouple Innovations, Inc** [WWW.TCI-INC.COM](http://WWW.TCI-INC.COM)